

ELIJAH IS TAKEN UP TO HEAVEN

2 Kings 2:1-14

2 Kings 2

¹When the LORD was about to take Elijah up to heaven in a whirlwind, Elijah and Elisha were on their way from Gilgal.

²Elijah said to Elisha, “Stay here; the LORD has sent me to Bethel.”

But Elisha said, “As surely as the LORD lives and as you live, I will not leave you.” So they went down to Bethel.

³The company of the prophets at Bethel came out to Elisha and asked, “Do you know that the LORD is going to take your master from you today?”

“Yes, I know,” Elisha replied, “but do not speak of it.”

⁴Then Elijah said to him, “Stay here, Elisha; the LORD has sent me to Jericho.”

And he replied, “As surely as the LORD lives and as you live, I will not leave you.” So they went to Jericho.

⁵The company of the prophets at Jericho went up to Elisha and asked him, “Do you know that the LORD is going to take your master from you today?”

“Yes, I know,” he replied, “but do not speak of it.”

⁶Then Elijah said to him, “Stay here; the LORD has sent me to the Jordan.”

And he replied, “As surely as the LORD lives and as you live, I will not leave you.” So the two of them walked on.

⁷Fifty men of the company of the prophets went and stood at a distance, facing the place where Elijah and Elisha had stopped at the Jordan. ⁸Elijah took his cloak, rolled it up and struck the water

with it. The water divided to the right and to the left, and the two of them crossed over on dry ground.

⁹When they had crossed, Elijah said to Elisha, “Tell me, what can I do for you before I am taken from you?”

“Let me inherit a double portion of your spirit,” Elisha replied.

¹⁰“You have asked a difficult thing,” Elijah said, “yet if you see me when I am taken from you, it will be yours—otherwise not.”

¹¹As they were walking along and talking together, suddenly a chariot of fire and horses of fire appeared and separated the two of them, and Elijah went up to heaven in a whirlwind. ¹²Elisha saw this and cried out, “My father! My father! The chariots and horsemen of Israel!” And Elisha saw him no more. Then he took hold of his own clothes and tore them apart.

¹³He picked up the cloak that had fallen from Elijah and went back and stood on the bank of the Jordan. ¹⁴Then he took the cloak that had fallen from him and struck the water with it. “Where now is the LORD, the God of Elijah?” he asked. When he struck the water, it divided to the right and to the left, and he crossed over.

ELIJAH IS TAKEN UP TO HEAVEN

2 Kings 2:1-14

POSSIBLE POINTS	MY POINTS	QUESTIONS
5		1.) What did Elisha want from Elijah?
5		2.) What happened when Elijah's cloak touched the Jordan River?
5		3.) What happened after Elijah and Elisha crossed the Jordan River?
5		4.) Why do you think Elisha would not leave Elijah alone?

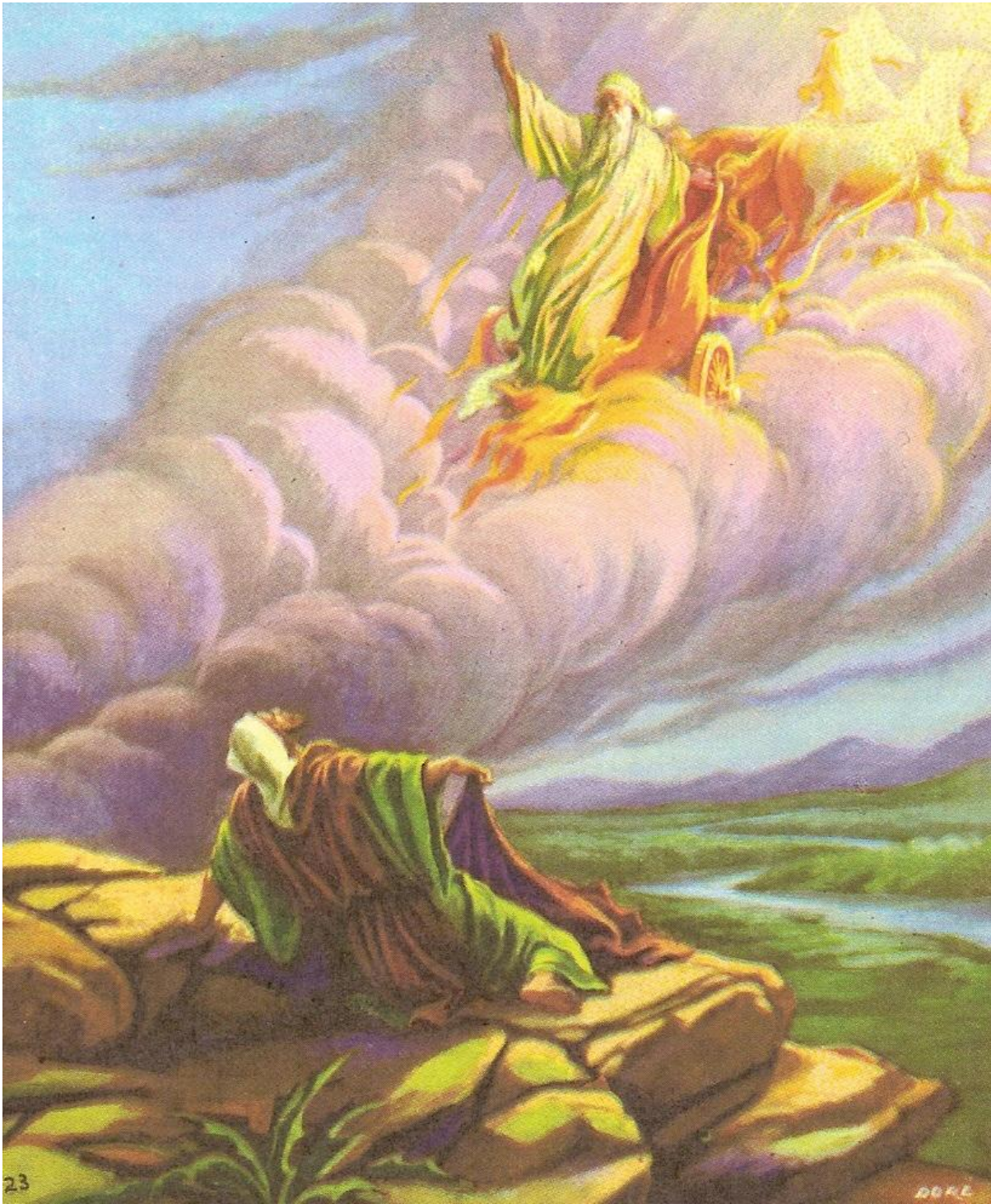
POSSIBLE POINTS	MY POINTS	MEMORY VERSE
10		<p><i>"And if I go and prepare a place for you, I will come back and take you to be with me that you also may be where I am."</i></p> <p style="text-align: right;">John 14:3</p>

POSSIBLE POINTS	MY POINTS	HOME CONNECTION	PARENT/GUARDIAN SIGNATURE
5		<i>I have read, or been read, the passage of scripture for this week.</i>	
5		<i>I have answered the questions aloud to an adult at home this week.</i>	
10		<i>I have recited the memory verse out loud to an adult at home this week.</i>	

TOTAL POINTS	CLUB CONNECTION
	LEADER'S SIGNATURE _____ DATE ___/___/___

ELIJAH IS TAKEN UP TO HEAVEN

2 Kings 2:1-14



Picture from *The Bible in Pictures for Little Eyes* by Kenneth N. Taylor. Moody Press: Copyright © 1956.

ELIJAH IS TAKEN UP TO HEAVEN

2 Kings 2:1-14



Elijah is taken to heaven in a chariot of fire

ELIJAH IS TAKEN UP TO HEAVEN

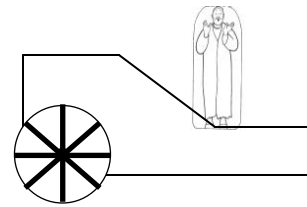
2 Kings 2:1-14

CRAFT/ACTIVITY: CHARIOTS

Students will make chariots to remind them that Elijah was taken up to heaven on a fiery chariot.

MATERIALS

1. White 67 lb. Cardstock
2. Chariot Pattern
3. Paper Brads
4. Hole Punch
5. Markers, Crayons, or Colored Pencils
6. Glue
7. Cotton Balls (optional)



DIRECTIONS

1. Make copies of the “Chariot Pattern” onto 67 lb cardstock for each student.
2. Have students color the chariot, wheels, and Elijah figure with crayons, markers, or colored pencils.
3. Allow students to cut out the chariot, wheels, and Elijah figure on the solid black lines.
4. Punch holes in the center of each wheel and on the through the two black dots on the chariot. This step must be done before the chariot is folded and glued together.
5. Instruct students to fold on the dotted lines.
6. Glue the two tabs to construct the shell of the chariot.
7. Affix the two wheels to the chariot using paper brads.
8. Glue Elijah in the chariot.
9. Optional: Glue on cotton balls to represent the clouds.

FOR DISCUSSION

As students are coloring their chariots, remind them that Elijah was taken to be with the Lord while he was still alive. The Bible teaches that Jesus will come again for his church. Whether or not you or I will be alive to see this, we have a place prepared for us in heaven. Encourage students who would like to spend eternity in heaven with the Lord to receive Christ as their personal Lord and Savior.

TIME NEEDED TO COMPLETE:

Approximately 20 minutes

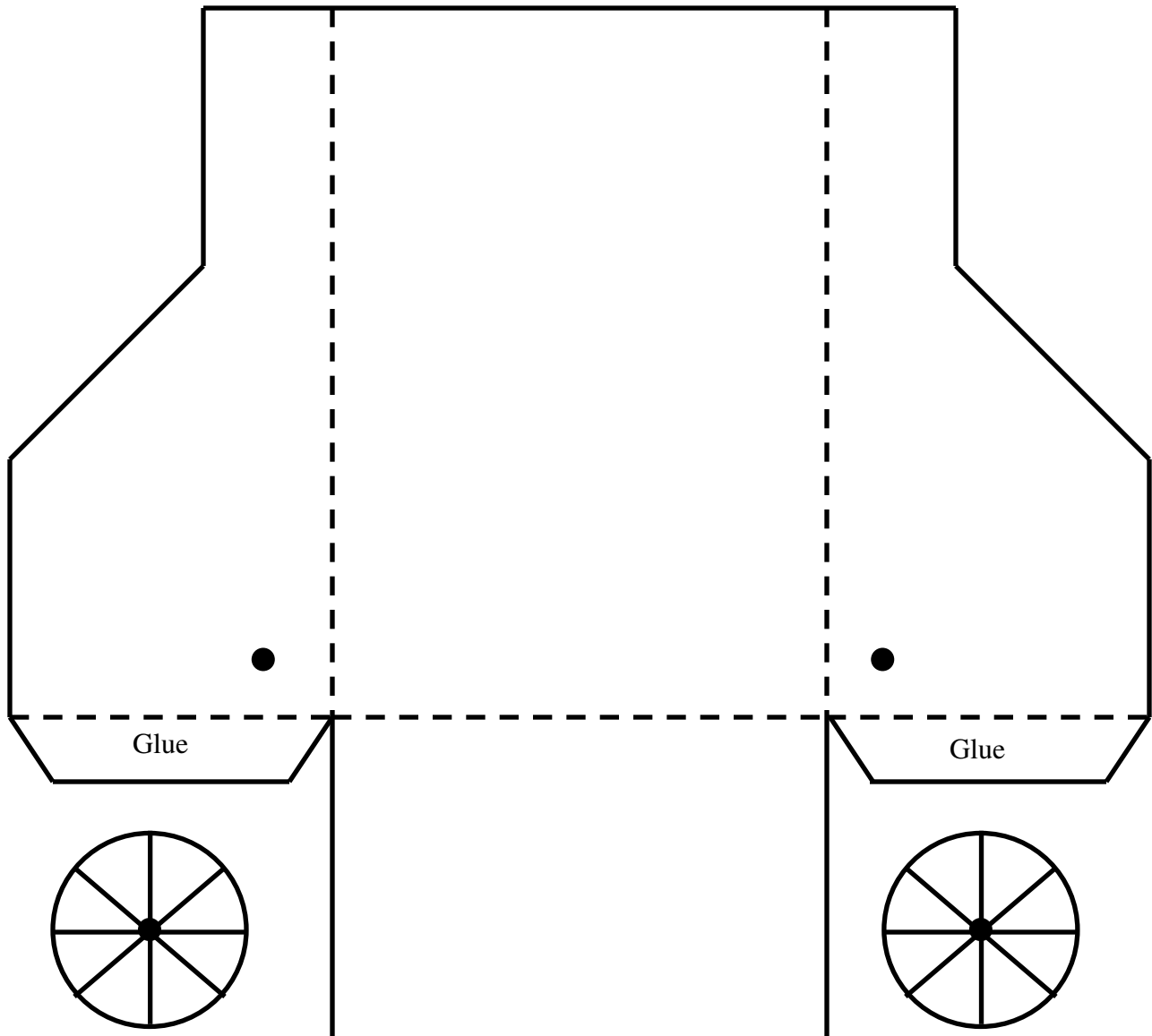
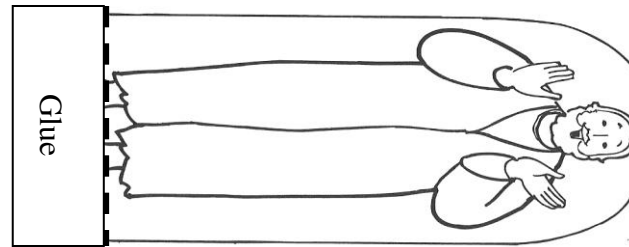
MEMORY VERSE

“And if I go and prepare a place for you, I will come back and take you to be with me that you also may be where I am.” John 14:3

ELIJAH IS TAKEN UP TO HEAVEN

2 Kings 2:1-14

CHARIOT PATTERN



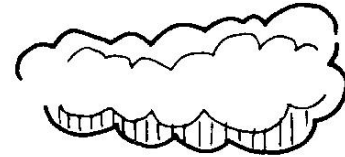
ELIJAH IS TAKEN UP TO HEAVEN

2 Kings 2:1-14

Read about the whirlwind in 2 Kings 2:1-11. Then connect the words from the story to follow Elijah's path to Heaven.



HEAVEN



VIDEO ●

SKATES ●

● FIRE

CLOAK ●

● BACKPACK

SNEAKERS ●

● MUD

● ELISHA

JORDAN ●

● DOGFOOD

JERICHO ●

● PROPHETS

● PIZZA

MITTENS ●

● LORD

WHIRLWIND ●

● ELIJAH



THE BIBLE TIMES HERALD

A SPECIAL REPORT ON 2 KINGS 2:1-14

ELIJAH IS TAKEN UP TO HEAVEN



Elijah was about to be taken up to heaven in a whirlwind. Several times Elijah told Elisha to stay where they were while Elijah traveled on. Elisha, however, would not leave Elijah. They traveled from place to place

together.

When Elijah and Elisha reached the Jordan River, they stopped. Elijah took his cloak, rolled it up, and struck the water with it. The water divided and the two men crossed the Jordan River on dry ground.

Once they had crossed the river, Elijah said to Elisha, "What can I do for you before I am taken to heaven?"

"I would like a double portion of your spirit," Elisha answered.

Elijah said, "If you see me when I am taken from you, it will be yours – otherwise not."

Suddenly a chariot of fire and horses appeared and Elijah went up to heaven in a whirlwind. Elisha saw this and said, "My father! My father! The chariots and horsemen of Israel!" Then Elijah was gone. Elisha tore his clothes.

Elisha picked up Elijah's cloak that had fallen and he struck the Jordan River with it. "Where now is the Lord, the God of Elijah?" he asked. The river divided and Elisha crossed over to the other side on dry land.

For more details, please read 2 Kings 2:1-14 in the Bible.

QUESTIONS

1. What did Elisha want from Elijah?
2. What happened when Elijah's cloak touched the Jordan River?
3. What happened after Elijah and Elisha crossed the Jordan River?
4. Why do you think Elisha would not leave Elijah alone?

MEMORY VERSE

"And if I go and prepare a place for you, I will come back and take you to be with me that you also may be where I am."

John 14:3

UNSCRAMBLE THE MESSAGE

taken	to	Elijah
fire	was	heaven
in	chariot	a
of		

Elijah _____

_____ .